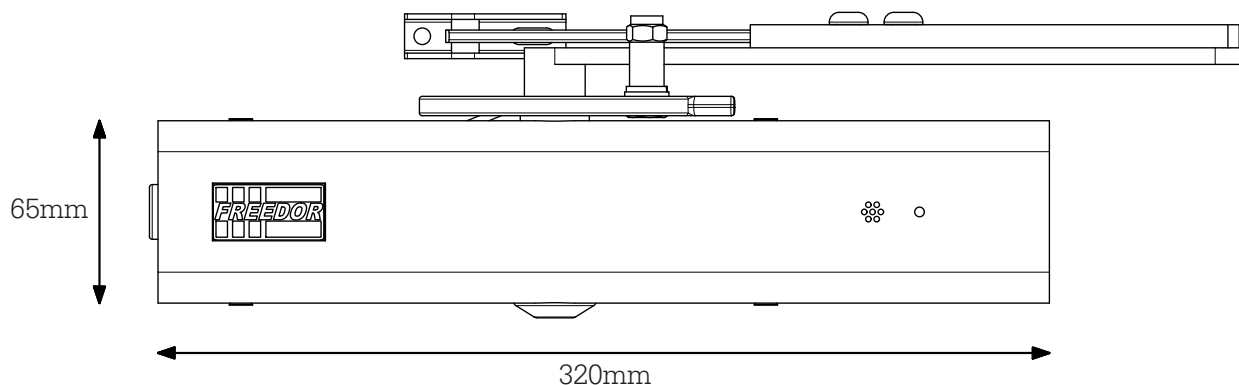


# Freedor

## Technical specification sheet

### Freedor (acoustic free-swing door closer)



#### Dimensions and weight

- Overall height: 105 mm
- Main casing height: 65 mm
- Main casing width: 320 mm
- Depth: 90 mm
- Packed kit weight: 2.8 kg
- Product only (including batteries): 2.5 kg

#### Material and operating specifications

- Casing: Steel
- Power: 9V alkaline battery pack  
(do not use rechargeable batteries)
- Expected battery life: 24 months
- Trigger: by alarms compliant with BS 5839-3

#### Freedor approvals and standards

- BS EN 1154: 1997 building hardware.  
Controlled door closing devices.
- BS EN 1155: 1997 building hardware.  
Electrically powered hold-open devices for swing doors.
- EN61000-6-1:2001 Electromagnetic compatibility (EMC). Generic standards.  
Immunity for residential, commercial and light industrial environments.
- EN61000-6-3:2001+A11:2004. Electromagnetic compatibility (EMC). Generic standards.  
Emission standard for residential, commercial and light industrial environments.
- BS 7273-4 category C. Code of practice for the operation of fire protection measures.  
Activation of release mechanisms for doors.