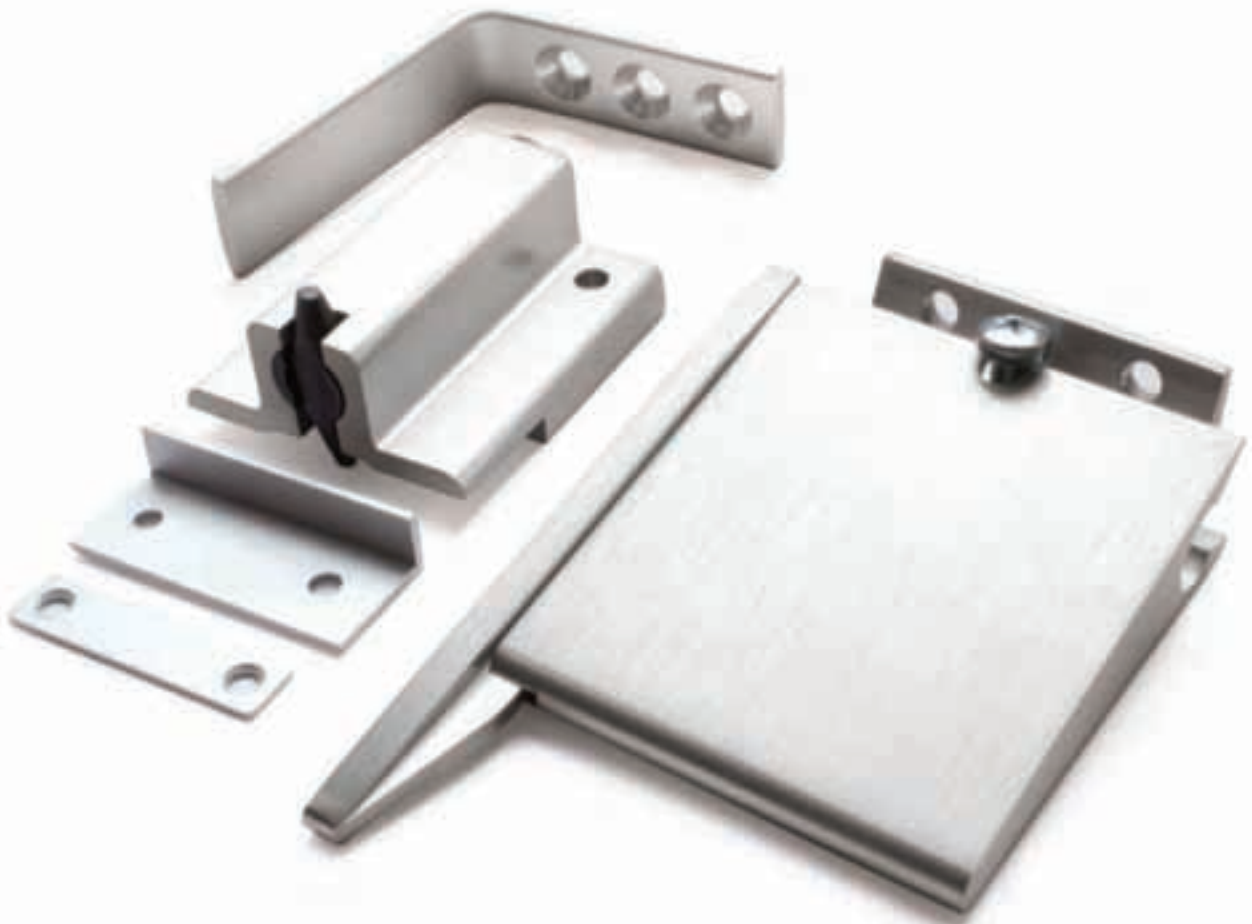


# SELECTRITE®

British Manufacturers and Suppliers of  
Fire Door Coordinators



*“Easy to install, this is an innovative product that works well and looks smart on any set of double doors”*

*“The Selectrite MK2 door co-ordinator/selector ensures that our building meets all the fire regulations and more importantly, ensures the safety of our visitors”*

# Selectrite MK2 Fire Door Co-ordinator/Selector

Product classification: 

European Standard number: BS EN 1158:1997

Our **MK2** Fire Door Selector/Co-Ordinator is in line with the new CPR's Regulation, that states all construction products that are regulated by a harmonised European standard, must be CE marked. In essence any door selectors/co-ordinators that are for fire door sets **MUST** be CE marked.

The **MK2** Fire Door Selector will enable a pair of self closing doors with or without rebated meeting stiles to close in the correct sequence, irrespective of which door is opened first, maintaining the doors fire resistant seal.

To keep up to date with all regulations our **MK2** Fire Door Selector is independently tested to:

- BS EN 1158:1997 + A1:2002
- CE Marked
- Our DoP is available online at [www.selectritehardware.com/dop](http://www.selectritehardware.com/dop)

All **MK2** Door Selectors come with:

- standard 102 adjuster arm
- standard fire regulated rebate catch
- lift arm
- impact plates and fixing screws
- full fixing instructions

It is also available with a 152mm or 202mm arm and extended rebate for thicker or wider doors.

Our **MK2** product is available in the following finishes:

- Satin Stainless Steel Effect
- Silver Anodised Aluminium
- Brass Effect
- Black Anodised Aluminium
- Gold Anodised Aluminium
- Polished Chrome Effect

Other paint finishes are available upon request to standard RAL colours.

#### Benefits:

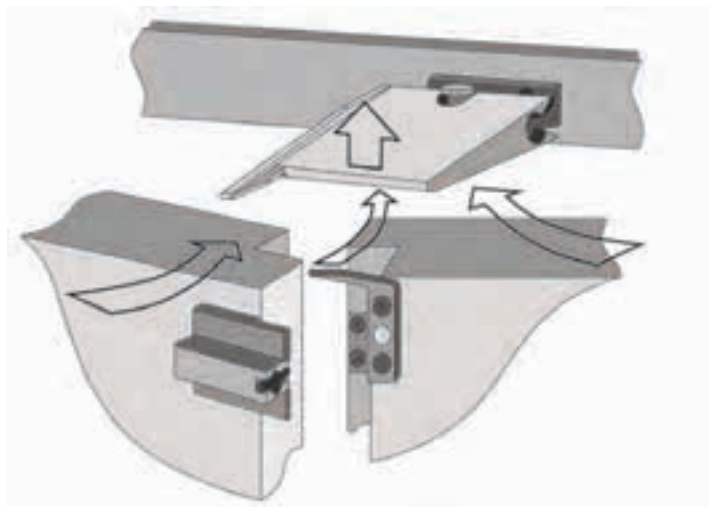
- Fully CE Marked with DoP available
- British design and manufacture
- Ex-stock delivery not including special finishes
- International delivery available
- Highest quality product
- Easy to fit – full instructions and fixings provided
- Effective and attractive
- Suitable for up to 25mm rebated door

REGISTERED DESIGN NUMBER:

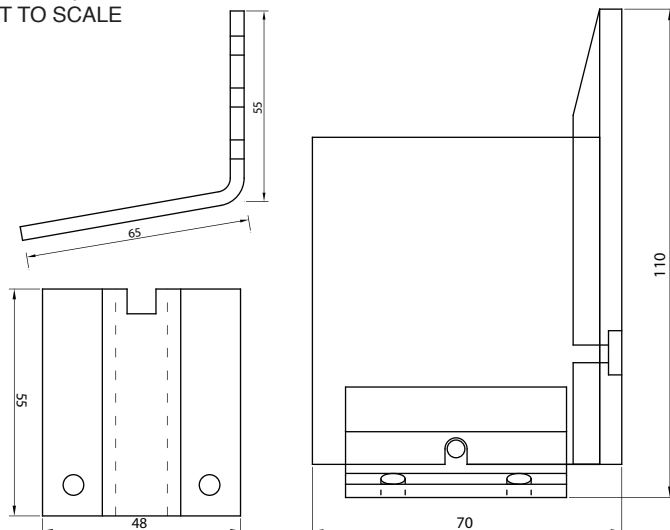
4027849

REGISTERED COMMUNITY DESIGN

NUMBER: 002201699-0001



Technical specification  
NOT TO SCALE



# Selectrite MK1 Non-Fire Regulated Door Co-ordinator/Selector

Product classification: **351010**

European Standard number: BS EN 1158:1997

The **MK1** Door Selector will enable a pair of self closing doors with or without rebated meeting stiles to close in the correct sequence irrespective of which door closes first.

Please note that our **MK1** door selector is **NOT FIRE REGULATED** and comes with a tubular rebate catch which is built into the door frame.

Although the MK1 door selector is harmonised by the same European Standard Number as our MK2 door selector, the European standard is intended for use on both non-fire rated doors and fire doors. If the product is not intended for the self closing of fire doors, CE marking is not applicable.

All **MK1** door selectors come fitted with:

- standard 102 adjuster arm
- tubular rebate (for standard double doors)
- lift arm
- impact plates and fixing screws
- full fixing instructions.

It is also available with a 152mm or 202mm arm for thicker or wider doors.

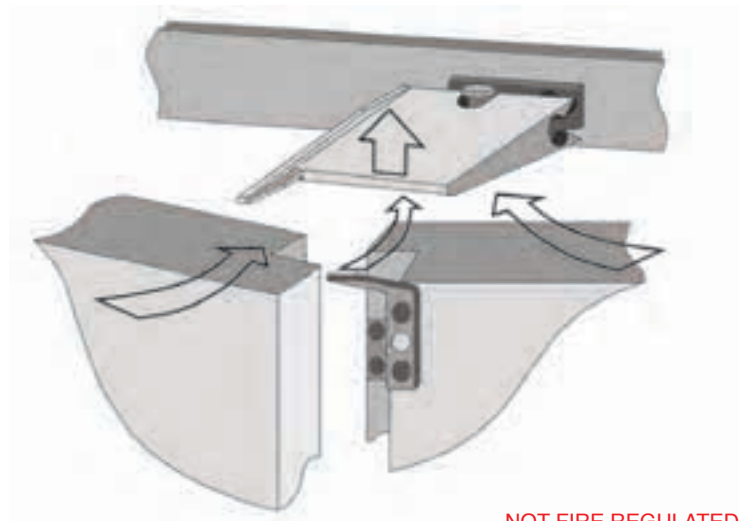
Our **MK1** product is available in the following finishes:

- Satin Stainless Steel Effect
- Silver Anodised Aluminium
- Brass Effect
- Black Anodised Aluminium
- Gold Anodised Aluminium
- Polished Chrome Effect

Other paint finishes are available upon request to standard RAL colours.

Benefits

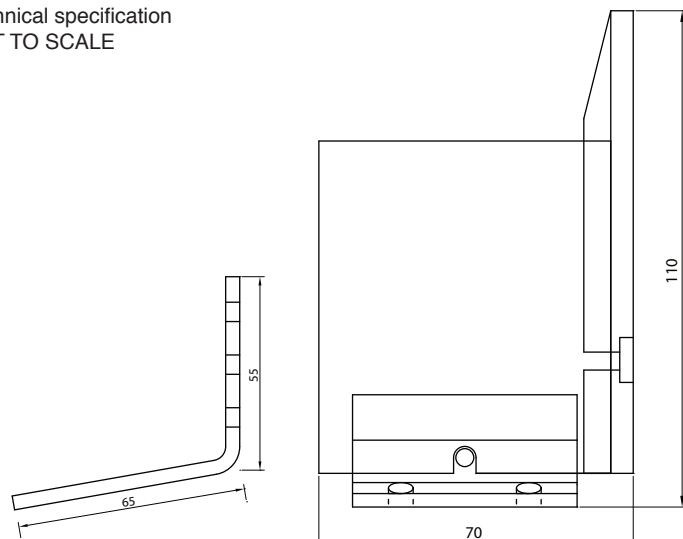
- Ex-stock delivery not including special finishes
- International delivery available
- Highest quality product
- Easy to fit – full instructions and fixings provided
- Effective and attractive
- British design and manufacture
- Suitable for up to 25mm rebated door



**NOT FIRE REGULATED**



Technical specification  
NOT TO SCALE





## Contact Us

Selectrite Hardware  
Unit 12 Ladbroke Park  
Industrial Estate  
Millers Road  
Warwick  
CV34 5AN  
United Kingdom

**Email:**

[mail@selectritehardware.com](mailto:mail@selectritehardware.com)

**Telephone:**

+44 (0) 1926 259307

**Fax:**

+44 (0) 1926 491375