

FSI Limited for Silverliner Range Of Open State Cavity Barriers

This Schedule should be read in conjunction with Certificate No. **IFCC 1672**. It relates to the performance of the Silverliner Range Of Open State Cavity Barriers as tested in accordance with BS EN 1363-1:2012 in conjunction with ASFP TGD19 and recorded in fire test reports which have been assessed to produce PAR/22436/01.

The following products are approved:

Product Name	Void Range (mm)	Air Gap (mm)	Integrity (minutes)	Insulation (minutes)	Product Depth (mm)	Cover Length (mm)	Fixing Requirement
Silverliner OSCB X/25 (2mm)	2-27	25	90	60	75	25000	3 No.
Silverliner OSCB X/50 (2no 2mm)	4-54	50	60	30	75	12500	

(OSCB X/50 See Appendix A & B)

Product Name	Void Range (mm)	Air Gap (mm)	Integrity (minutes)	Insulation (minutes)	Product Depth (mm)	Cover Length (mm)	L-Bracket Requirement (Min)
Silverliner OSCB 1	77-500	25	90	30	75	1000/1200	3 no. Brackets fixed with Non-combustible fixings suitable for substrate.

(OSCB 1- See Appendix C)

Product Name	Void Range (mm)	Air Gap (mm)	Integrity (minutes)	Insulation (minutes)	Product Depth (mm)	Cover Length (mm)	L-Bracket Requirement (Min)
Silverliner OSCB 2	104-350	50	60	30	75	1000/1200	3 no. Brackets fixed with Non-combustible fixings suitable for substrate.

(OSCB 2 - See Appendix D)

Product Name	Void Range (mm)	Air Gap (mm)	Integrity	Insulation	Product Depth (mm)	Cover Length (mm)	L-Bracket Requirement (Min)
Silverliner OSCB 3	77-527	25	120	120	120	1000/1200	3 no. Brackets fixed with Non-combustible fixings suitable for substrate.

(OSCB 3 - See Appendix E)

Product Name	Void Range (mm)	Air Gap (mm)	Integrity (minutes)	Insulation (minutes)	Product Depth (mm)	Cover Length (mm)	L-Bracket Requirement (Min)
Silverliner OSCB 4	104-354	50	90	60	120	1000 / 1200	3 no. Brackets fixed with Non-combustible fixings suitable for substrate.
	355-550		60	60			

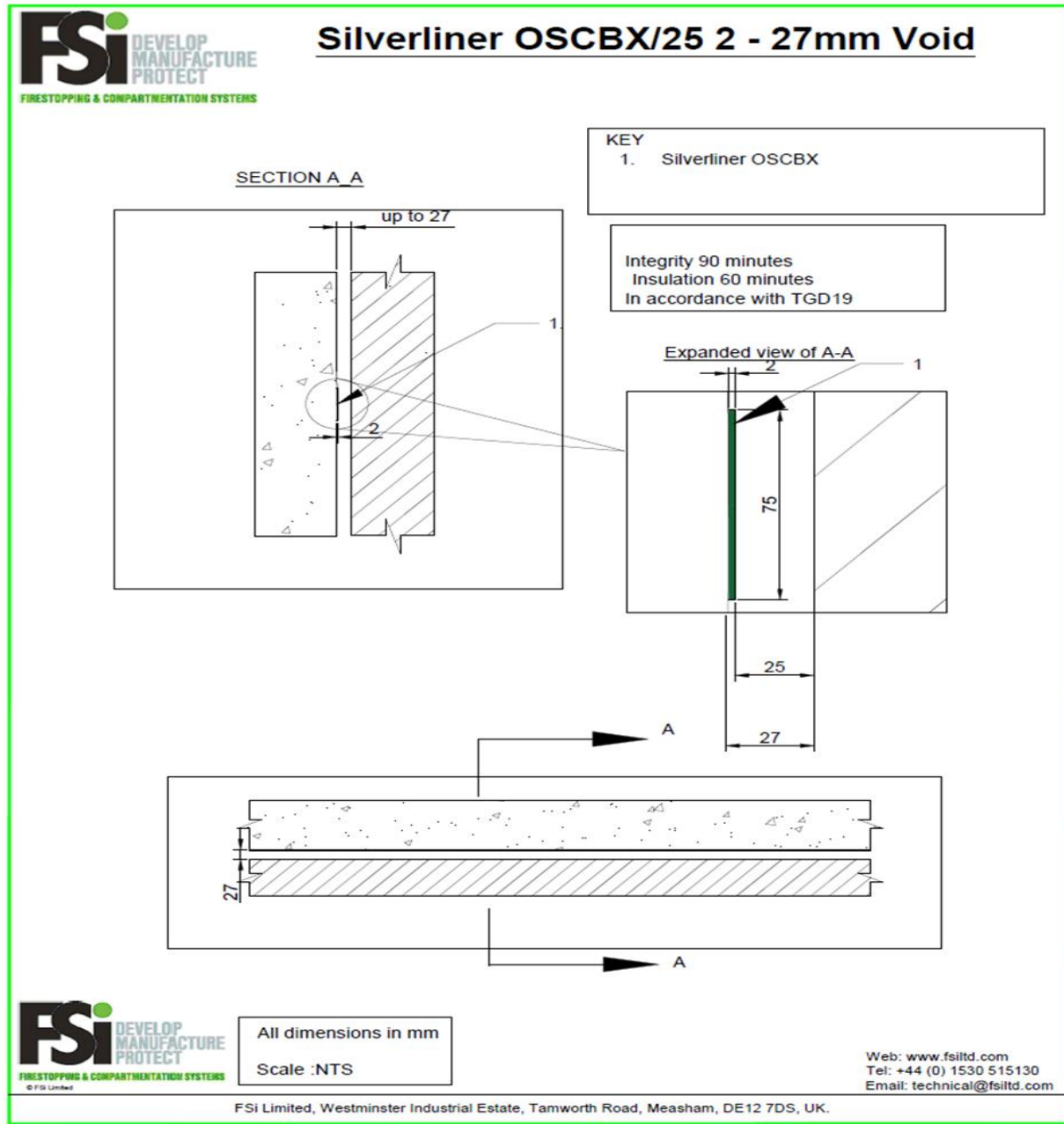
(OSCB 4 - See Appendix F)

Notes

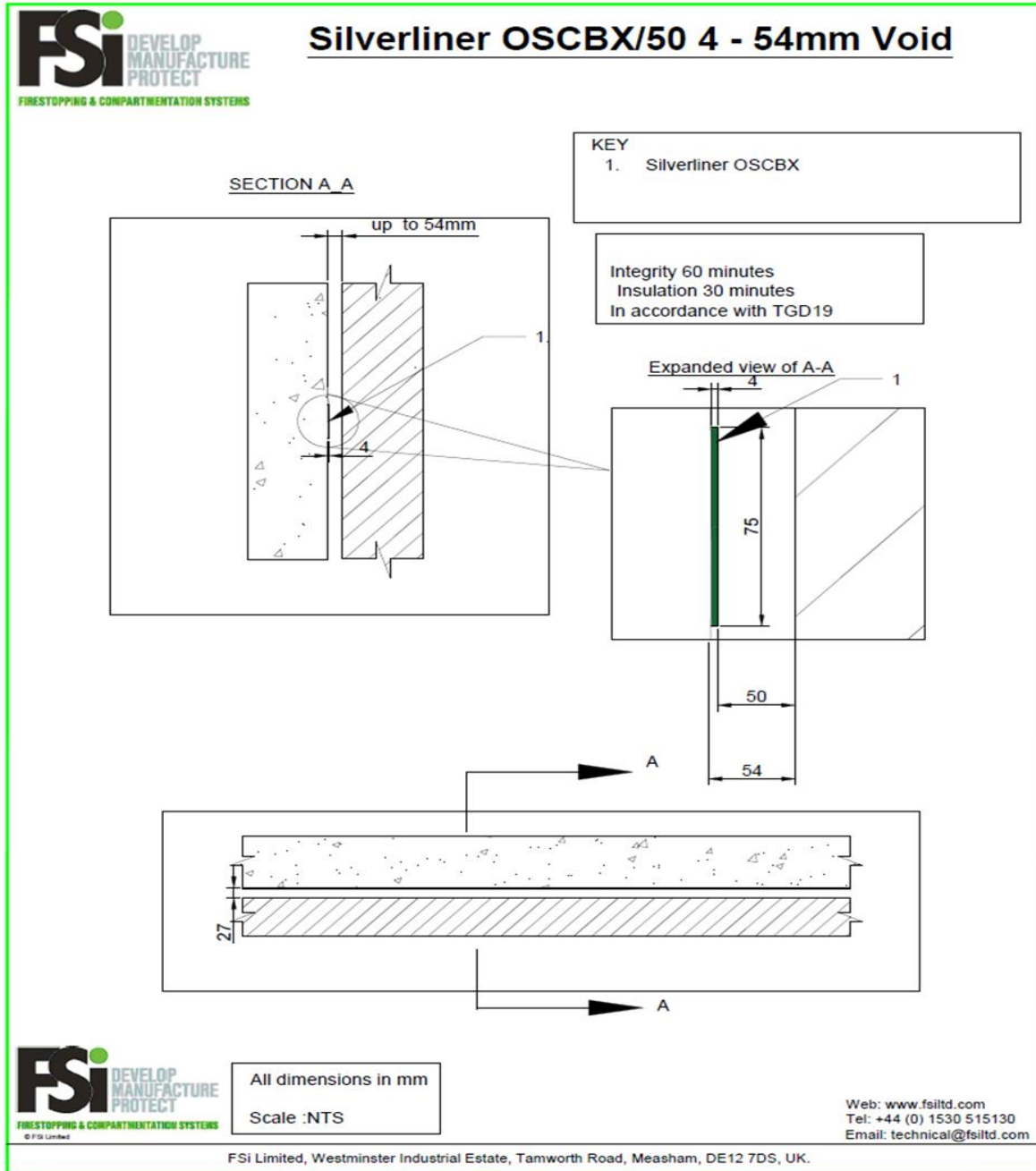
1. All cavity barriers tested in accordance with ASFP TDG 19.
2. All cavity barriers are tested with 50mm thick stone wool with a greater density than 52kg/m3 or 60mm Foil-Faced Phenolic insulation, above and below the cavity barriers. (except for OSCB X Range)
3. All brackets used are fixed with suitable non-combustible fixings.
4. 3 no. brackets are installed per 1m length and at a maximum of 250mm centres.
5. OSCB X/25 and OSCB X/50 shall be fixed directly to the substrate with a suitable non-combustible fixing.
6. All brackets to penetrate the product at mid thickness.
7. All brackets to penetrate 75% of the cavity barrier width.
8. All butt joints between barriers (excluding OSCB X Range) shall be sealed with aluminium foil tape.
9. Drawings provided by client.

Appendices

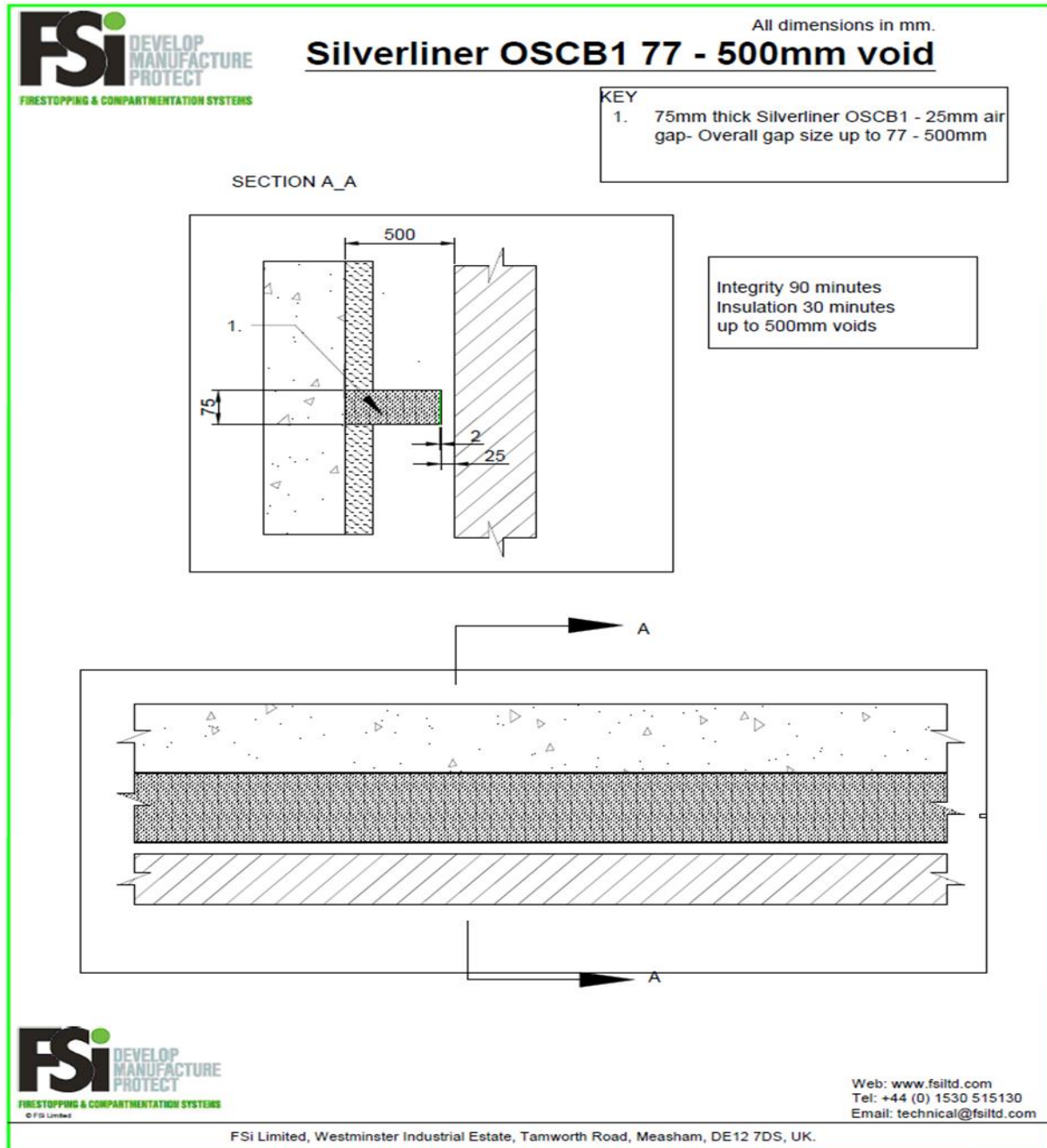
Appendix A



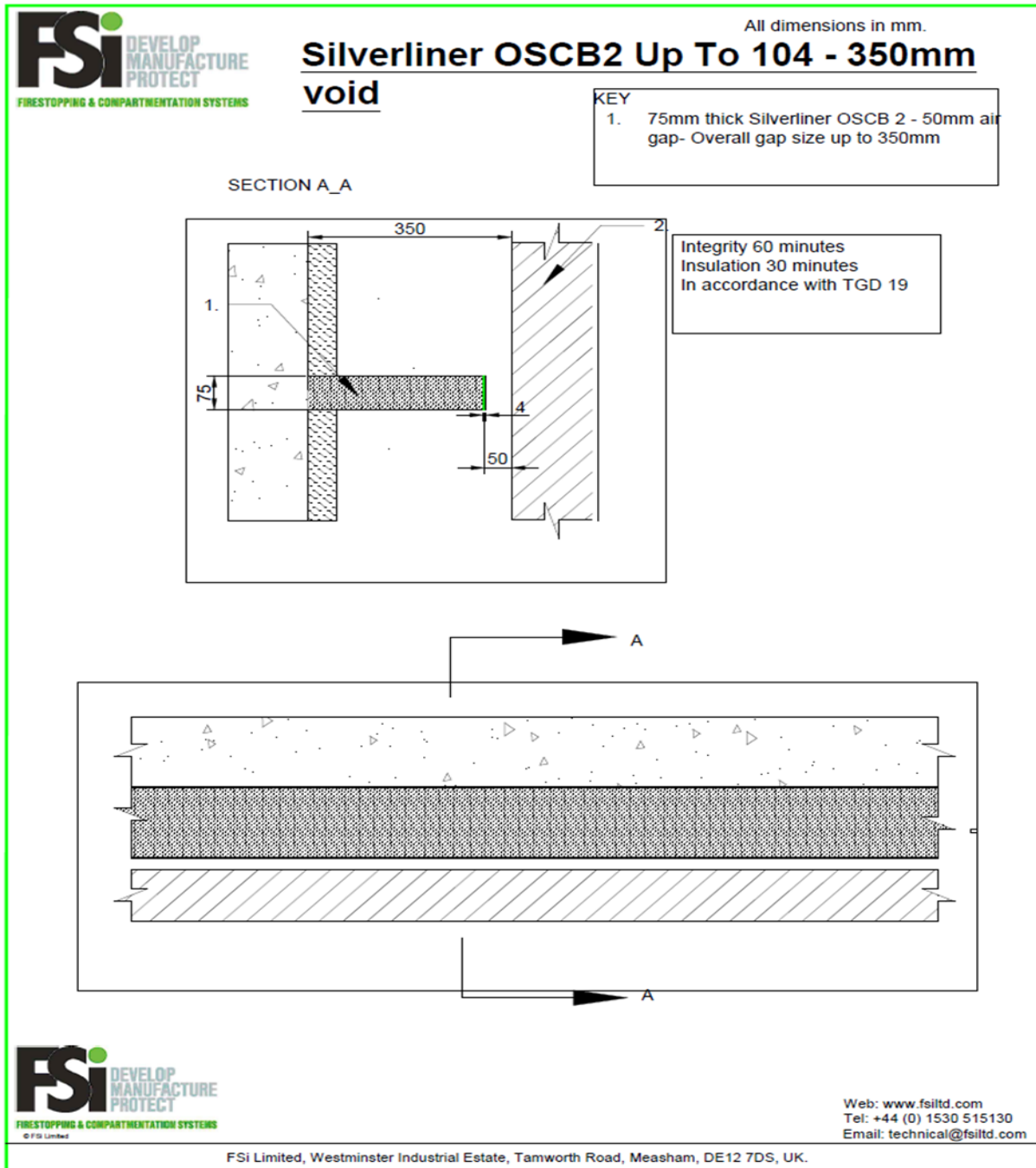
Appendix B



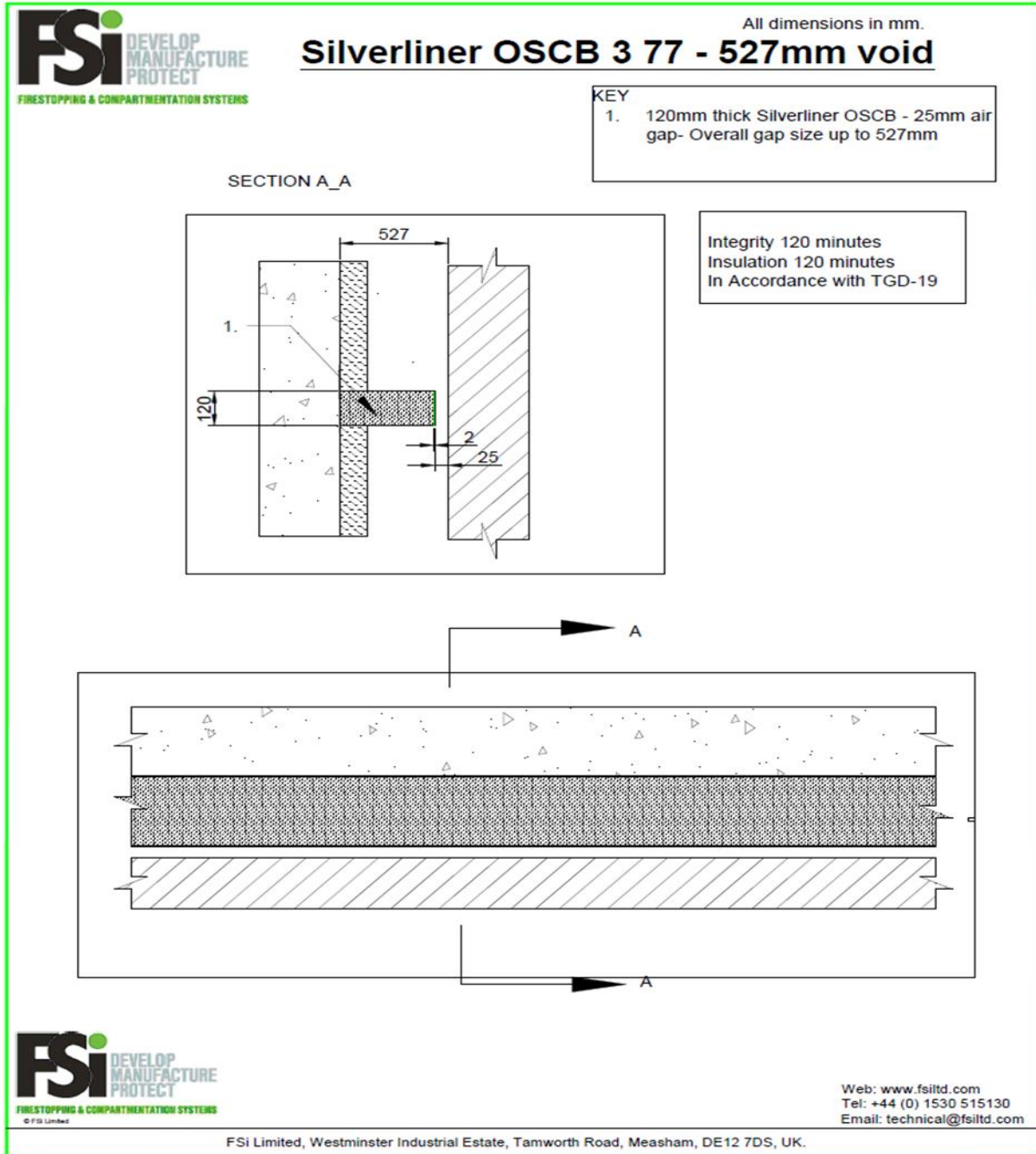
Appendix C



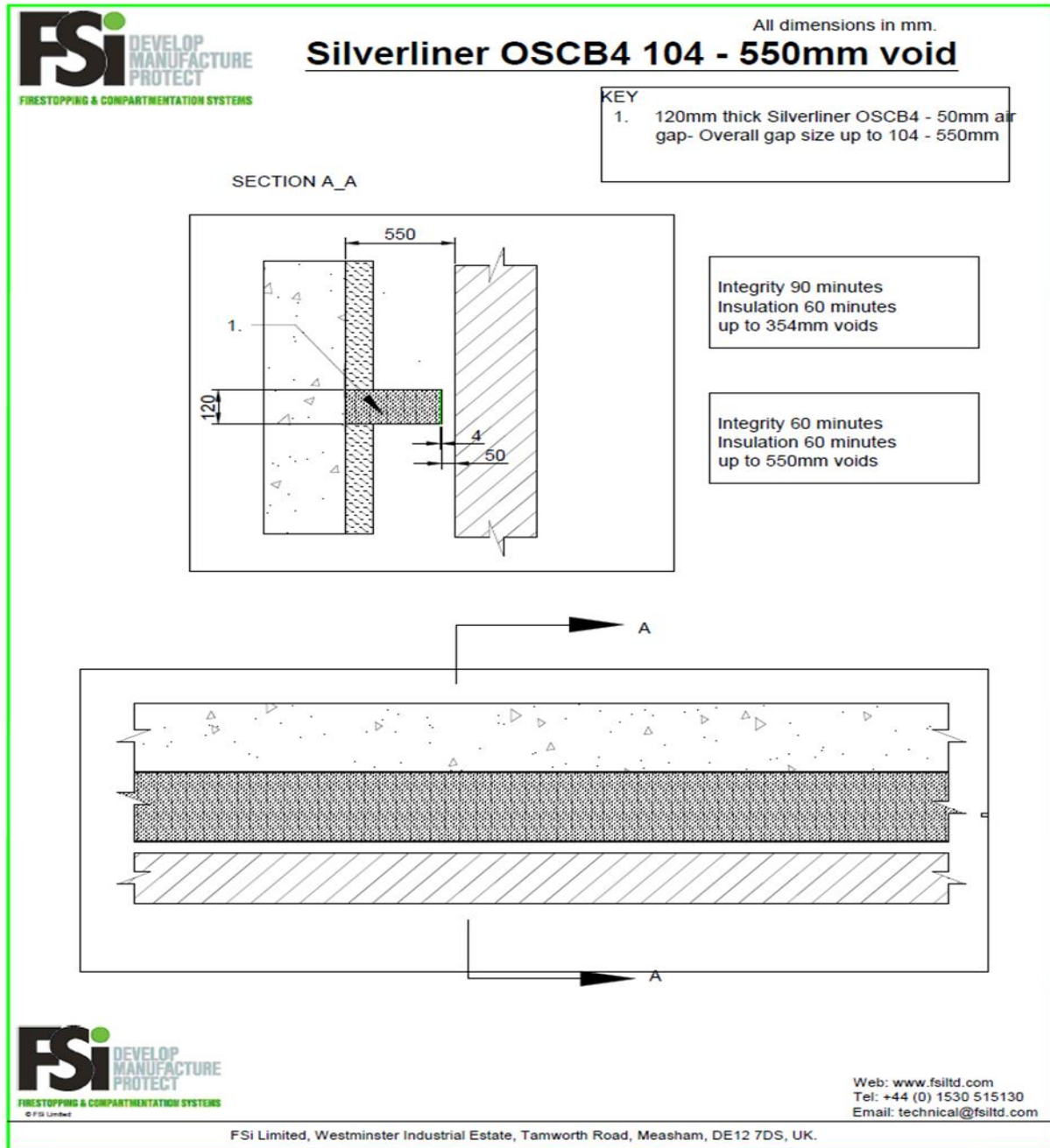
Appendix D



Appendix E



Appendix F



Schedule No: IFCC 1672/S01

Certificate No: IFCC 1672



Ian Woodhouse
Director, IFC Certification

Issued: 17 January 2022

The certificate and schedule are held in force by regular annual surveillance visits by IFC Certification and the reader or user should contact IFC Certification to validate its status. This certificate remains the property of IFC Certification and must be returned to them on demand.

©IFC Certification Ltd